

Solar Panel Manager

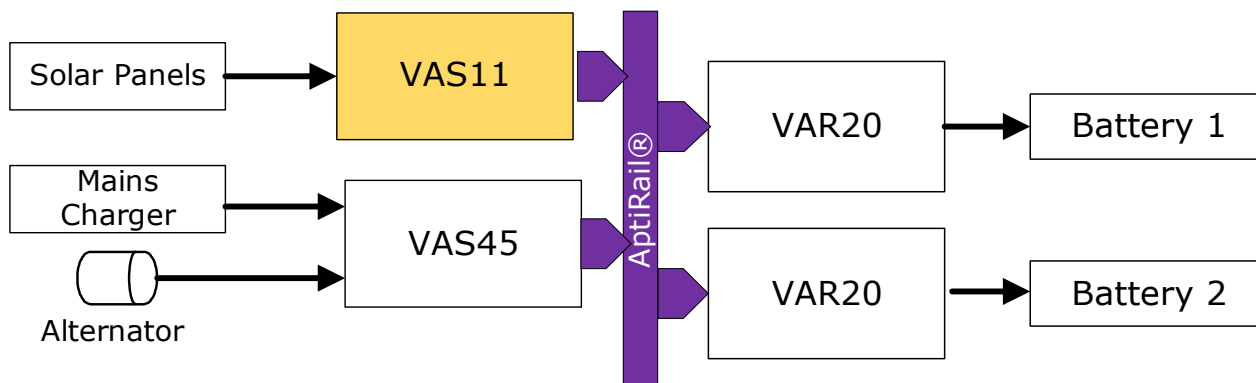


FEATURES

- Part of the Autonnic® AptiVolt® range
- Connects directly to AptiRail®
- Accepts up to to 20A total
- Up to 65% more charge than direct connection
- 2 input channels—10A each
- Accepts full current at MPP
- AptiLoop® enabled for full monitoring
- Will deliver up to 340W
- Visual display of AptiRail current
- LED status monitoring

APPLICATIONS

- Any Multi-Battery Multi-Source installation
- Yachts and Barges
- Motor-homes
- Coaches
- Emergency Vehicles
- Military



ABSOLUTE MAXIMUM RATINGS

PARAMETER	DESCRIPTION	NOTES	CONDITIONS	VALUE	UNIT
Θ_{STOR}	Storage Temp Range			-20 to +100	°C
Θ_{AMB}	Operating Temp Range			-20 to +50	°C
	Shock Resistance		Single impact	±10	G
	Vibration Resistance		60Hz, 10 Minutes	±5	G
V_{CC}	AptiRail Supply Voltage		At 25degC	25	Vdc

ORDER INFORMATION

PART	DESCRIPTION	SHIPPING WEIGHT
VAS11	A series alternator booster	150g

ELECTRICAL CHARACTERISTICS AT 20°C

PARAMETER	DESCRIPTION	NOTES	MIN	TYP	MAX	UNIT
V _{cc}	Solar Operating Voltage	At 20A		17.1		Vdc
V _{rail}	AptiRail output			17.1	24	V
I _{out}	AptiRail current				20	A
I _{in}	Solar Panel Current	Each input			10	A

Command Set

Debug

\$APA, <address>, <data><CR> \$APA, <address>, <data><CR>

Status

\$APE, <address>, <data><CR> \$APE, <status>*<checksum>

Fault code

\$APF, <address><CR> \$APF, <address>, <faultstatus>, <fault code>*<checksum><CR>

Information

\$API, <address><CR> \$API, <address> <device type>, <serial number>, <firmware version>, <hardware revision>*<checksum><CR>

Get data

\$APQ, <address><CR> \$APQ, <address>, <data0>, <data1>, , <dataN>*<checksum><CR>

Set address

\$APS, <current address>, <new address><CR> \$APS, <new address>, <status>*<checksum><CR>

CONNECTIONS

Top: 1 Ground
2 Logic input— on/off
3 Status output

Main A 1 Solar Panel In+
 2 Solar Panel In-

Main B 1 Solar Panel In+
 2 Solar Panel In-

DIMENSIONS

138H x 37W x 80D
IP30
DIN RAIL (top hat) mounted